



Item # _____

Model MB

Countertop Bread Slicer



Countertop Bread Slicer Model MB



Model MB



Safety and Convenience Features

Berkel Model MB bread machine slices soft and hard crusted loaves with consistent precision and handles loaves to 15-1/2" (394 mm). Models are available in a 3/8" (10 mm), 7/16" (11mm), 1/2" (13 mm), or 3/4" (19 mm) pre-set slice thickness. Its compact design saves on counter space and is simple to operate. Simply place a loaf in the MB and lift the operator lever. The motor starts and the blades begin to move back and forth, cutting gently and cleanly from the top. The unit features a convenient front-mounted, stainless steel bagging trough and easy access, removable scrap pan. The independently mounted blades are a special heat-treated, alloy carbon steel and are easily replaceable. The MB features a Sky White, polyester powder coat finish and all product contact areas are stainless steel for easy cleaning.

Standard Features

- ▶ Compact design requires minimal counter space
- ▶ Convenient operator lever starts motor and initiates precise cutting action
- ▶ Slicer is available in 3/8" (10 mm), 7/16" (11mm), 1/2" (13 m), or 3/4" (19 mm), pre-set slice thickness
- ▶ Slicing is completed in approximately 8 seconds per loaf depending on size and bread type
- ▶ 1-speed, 1/3 HP, totally enclosed and permanently lubricated knife motor
- ▶ Furnished in 115/60/1, 6.2 amp, AC, ETL listed
- ▶ The unit handles loaves up to 15-1/2" (394 mm) long
- ▶ Special heat-treated, alloy carbon steel blades are independently mounted and can be easily replaced
- ▶ Finish is Sky White, polyester powder coat and all product contact areas are stainless steel
- ▶ Easy access, removable front scrap pan
- ▶ Convenient front-mounted, stainless steel bagging trough
- ▶ Toggle type, on/off switch with safety guard
- ▶ Red light indicates the unit is plugged in
- ▶ Attached 6-foot, flexible, 3-wire cord and plug for grounded receptacle

Accessories

- 4" Extension NSF legs (set of 4)

Approved By: _____ Date _____
--

Berkel Company • 4406 Technology Drive • South Bend, IN 46628-9700
574-232-8222 • 800-348-0251 • FAX 888-888-2838 • www.berkel.com

Berkel

Model MB Countertop Bread Slicer

Model No.	Cutting Capacity	Slice Thickness	Speed/Loaf	Product Dimensions		
				Width A	Depth B	Height C
MB	15-1/2" (394 mm) length	3/8" (10 mm) 7/16" (11 mm) 1/2" (13 mm) 3/4" (19 mm)	Approx. 8 seconds	24-1/2" (622 mm)	27" (686 mm)	18-9/16" (471 mm)

Motor	Electrical	Weight	Box Dimensions		
			Width	Depth	Height
1-speed 1/3 HP	115/60/1	Net 185 lbs. (84 kg) Ship 215 lbs. (98 kg)	32" (813 mm)	30" (762 mm)	27" (686 mm)

Specifications

Motor: 1-speed, 1/3 HP, totally enclosed, permanently lubricated ball bearings, thermally protected.

Electrical: Furnished in 115/60/1, 6.2 amp, AC, ETL listed.

Finish: Sky White, polyester powder coat. All product contact areas are stainless steel.

Speed: Approximately 8 seconds per loaf depending on loaf size and bread type.

Cutting Capacity: Loaves up to 15-1/2" (394 mm) in length.

Slice Thickness: Produces clean and consistent cuts of hard or soft crusted breads. Available in 3/8" (10 mm), 7/16" (11 mm), 1/2" (13 mm), or 3/4" (19 mm), pre-set slice thickness.

Blades: Special heat-treated, alloy carbon steel blades are independently mounted and can be replaced easily.

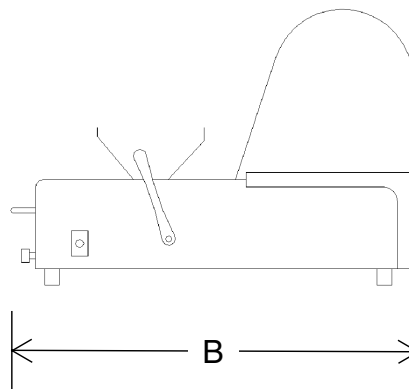
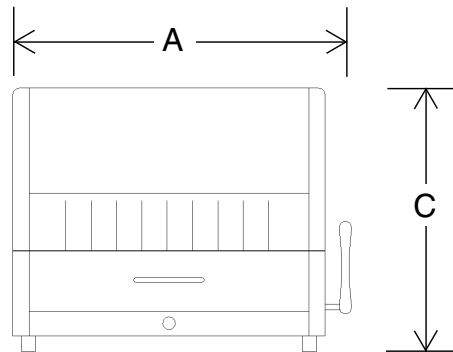
Bagging Device: Convenient front-mounted, stainless steel bagging trough.

Scrap Pan: Easy access, removable, front scrap pan.

On/Off Switch: Toggle type, on/off switch with safety guard. A red light indicates the unit is plugged in.

Cord and Plug: Attached 6-foot, flexible, 3-wire cord and plug for grounded receptacle.

Warranty: All parts, service and travel coverage for one year, excluding wear items.



Countertop Bread Slicer Model MB

Berkel

As we continually strive to improve our products, specifications are necessarily subject to change without notice.

**Berkel Company • 4406 Technology Drive • South Bend, IN 46628-9700
574-232-8222 • 800-348-0251 • FAX 888-888-2838 • www.berkel.com**